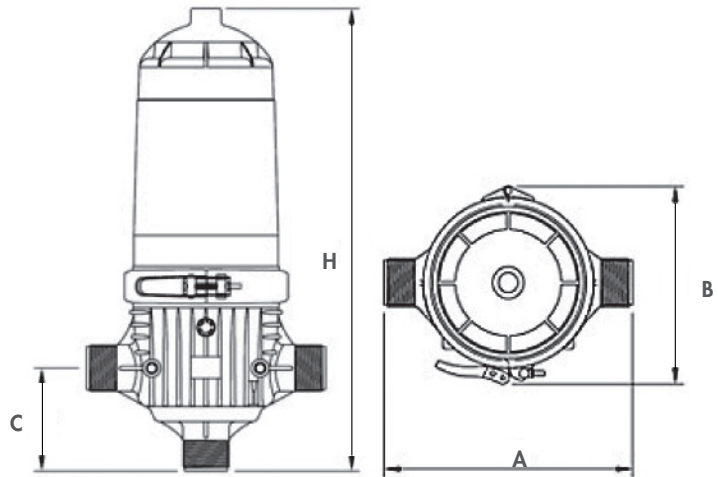


DISC FILTERS

Manual disc filters



Model	Dimensions (mm)				Max. quality (m ³ /h)	Filtering surface (cm ²)	Weight (kg.)
	A	B	C	H			
FAN-MAN-2"NM	309	245	133	597	30	1.198	7,5
FAN-MAN-2"SP	309	245	133	721	30	1.699	9
FAN-MAN-3"	336	245	147	721	50	1.699	9

Nota: Values for 130 microns.

Standard technical data

- Manufacturing materials:
 - _ Polypropylene discs
 - _ High resistance polyamide housing and casing
 - _ AISI-316 stainless steel locking system
- Maximum working pressure: 10 bar

Head loss

Note: Other non-standard specifications on demand.

