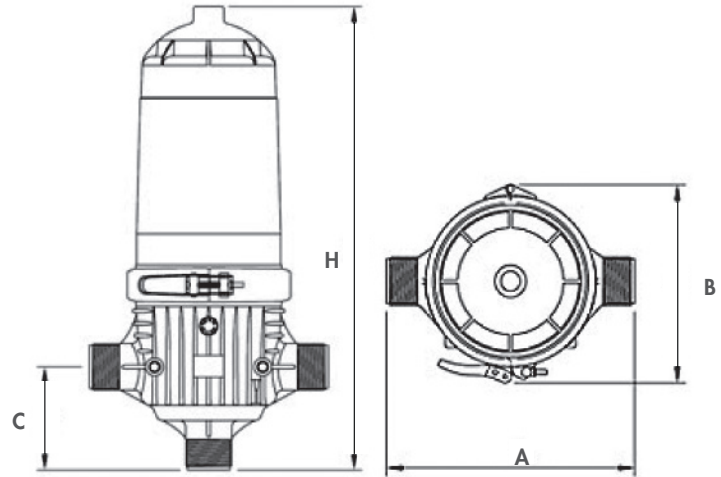


Automatic disc filters



Model	Dimensions (mm)				Max. quality (m ³ /h)	Filtering surface (cm ²)	Weight (kg.)	Backwashing flow (m ³ /h)
	A	B	C	H				
FAN-AUTO-2"	309	245	133	721	20	1.492	10	11
FAN-AUTO-3"	336	245	147	721	30	1.492	10	11

Nota: Values for 130 microns.

Standard technical data

- Manufacturing materials:
 - _ Polypropylene discs
 - _ High resistance polyamide housing and casing
 - _ AISI-316 stainless steel locking system
- Maximum working pressure: 10 bar
- Backwashing minimum pressure: 3 bar

Note: Other non-standard specifications on demand.

Head loss

