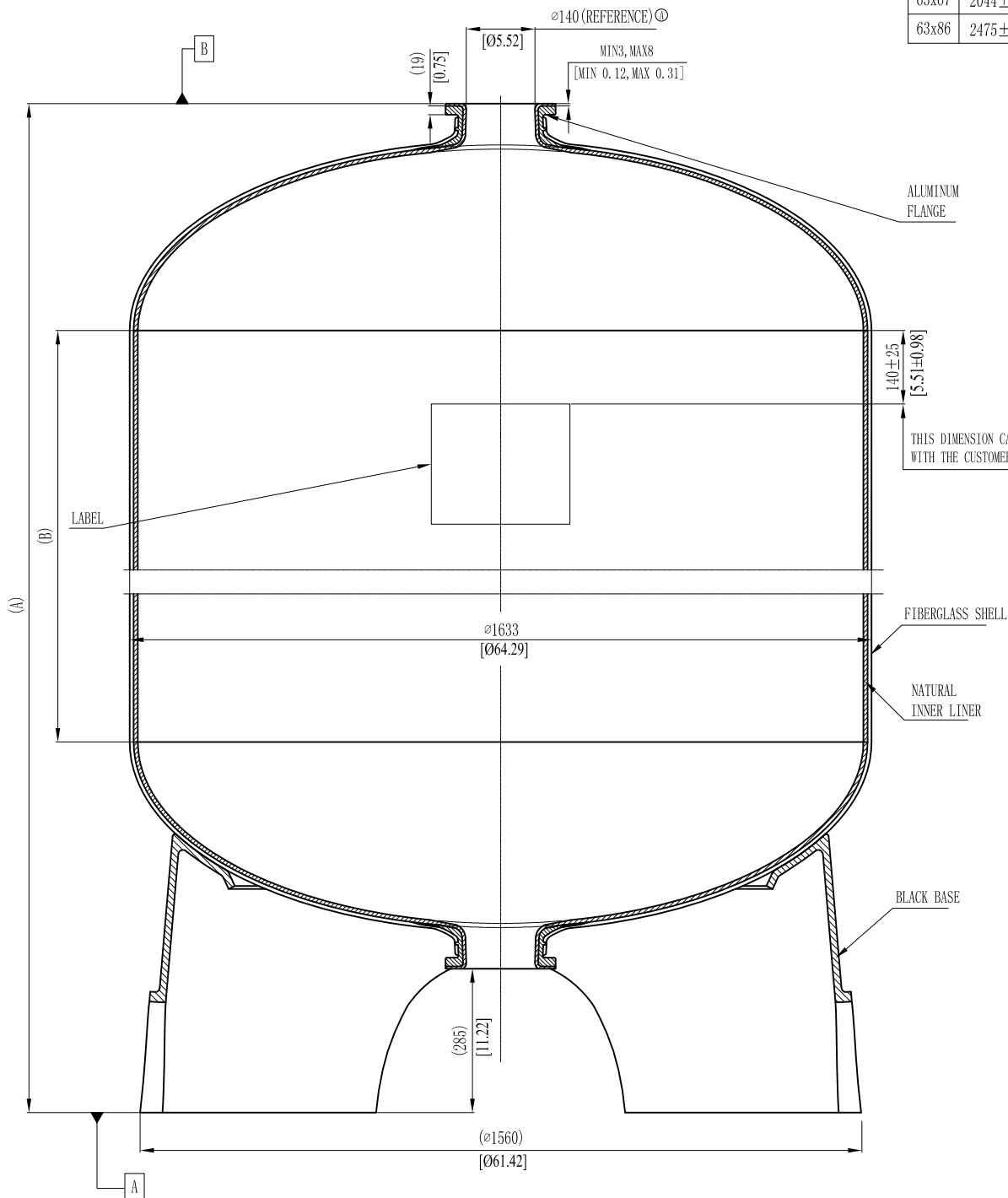
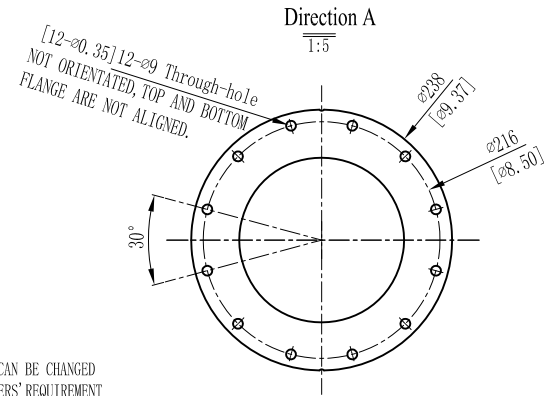


Direction A



MODEL	A		B		VOLUME			DOME VOLUME			STRAIGHT WALL AREA		WEIGHT	
	mm	inch	mm	inch	liters	U.S. gal	cubic FT	liters	U.S. gal	cubic FT	sq. m	sq. FT	Kg	LBS
63x67	2044 ± 15	80.47 ± 0.59	728	28.66	2451	647.56	86.61	511	135.0	18.06	3.62	38.97	306	673
63x86	2475 ± 15	97.44 ± 0.59	1158	45.59	3306	873.45	116.82	511	135.0	18.06	5.76	62.0	360	792



THIS DIMENSION CAN BE CHANGED WITH THE CUSTOMERS' REQUIREMENT

NOTES:

- 1 . TANK MUST MEET ALL APPLICABLE SPECIFICATIONS OF NSF/ANSI 044 STANDARD, LATEST REVISION.
- 2 . OPERATING SPECIFICATIONS:
 - A. MAXIMUM WORKING PRESSURE - 150 PSI (10.5 BAR)
 - B. TEMPERATURE RANGE - 34-150° F (1-65°C)
 - C. MAXIMUM VACUUM - 5" Hg (127mm Hg)
- 3 . VISUAL LINER INSPECTION
 - A. NO MORE THAN 20 INTERNAL OR EXTERNAL BLEMISHES OR BURNT DEBRIS.
 - B. NO INTERNAL OR EXTERNAL BLEMISHES OR BURNT DEBRIS LARGER THAN 5x5mm.
 - C. NO INTERNAL BLEMISHES OR BURNT DEBRIS ALLOWED.
- 4 . ALL GLASS STRANDS FROM FIBERGLASS LINER TO BE BONDED AND COVERED.
- 5 . SURFACE TO BE FREE OF NICKS, SCRATCHES, RESIN AND GLASS.
- 6 . SURFACE FINISH.
- 7 . DIMENSIONS IN PARENTHESIS ARE REFERENCE ONLY.
- 8 . DIMENSIONS IN SQUARE PARENTHESIS ARE INCH UNITS.
- 9 . TANK TO BE BONDED TO BASE.
- 10 . USING A STANDARD LEVEL WITH TANK POSITIONED ON A LEVEL SURFACE, DATUM B TO BE PARALLEL WITH DATUM A. BUBBLE OF LEVEL MUST FALL COMPLETELY WITHIN LINES WHEN MEASURED AT 90° INTERVALS WHEN PLACED ON THE TOP OF THE FLANGE.
- 11 . AFTER THE TANK IS LEVELED, IT IS RECOMMENDED THAT THE TANK BE BOLTED TO THE FLOOR IN SIX POSITIONS PER THE TRIPOD BASE BOLT HOLE PATTERN WITH 3/8" ANCHORS.