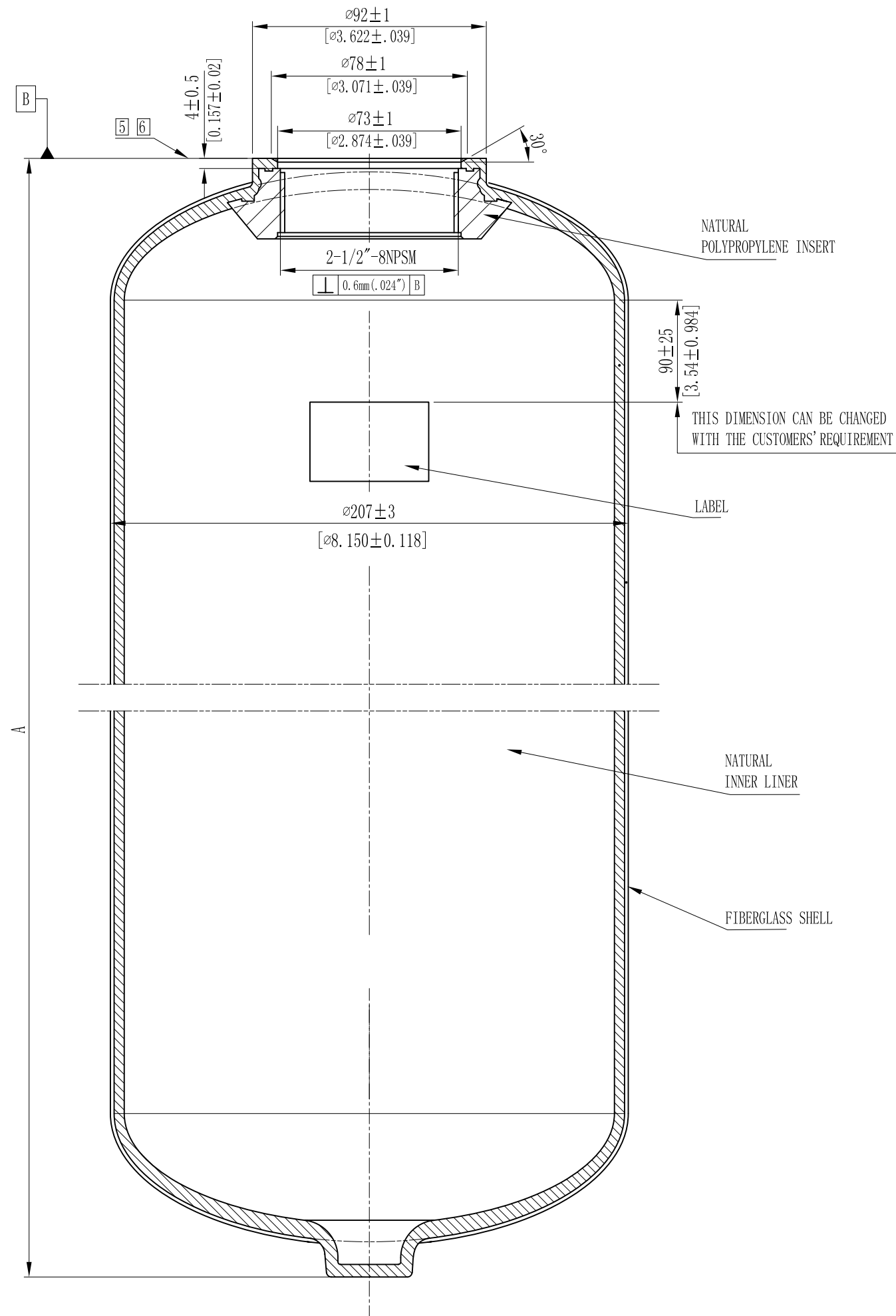


10-00-180111



MODEL	A		VOLUME			DOME VOLUME			WEIGHT			
	mm	inch	+/-		Liters	U. S. GAL	CUBIC FT	Liters	U. S. GAL	CUBIC FT	Kg	LBS
			mm	inch								
8x17	421	16.57	4	.16	11.0	2.91	0.39	0.88	0.23	0.03	1.6	3.52
8x17(b)	421	16.57	+4 -2	+ .16 - .08	11.0	2.91	0.39	0.88	0.23	0.03	1.6	3.52
8x30(b)	753	16.54	+4 -2	+ .16 - .08	21.4	5.65	0.76	0.88	0.23	0.03	3.2	7.04

NOTES:

- 1 . TANK MUST MEET ALL APPLICABLE SPECIFICATIONS OF NSF/ANSI 044 STANDARD, LATEST REVISION.
- 2 . OPERATING SPECIFICATIONS:
 - A. MAXIMUM WORKING PRESSURE - 150 PSI (10.5BAR)
 - B. TEMPERATURE RANGE - 34-120° F (1-49°C)
 - C. MAXIMUM VACUUM - 5"Hg (127mm Hg)
- 3 . VISUAL LINER INSPECTION
 - A. NO MORE THAN 10 INTERNAL OR EXTERNAL BLEMISHES OR BURNT DEBRIS.
 - B. NO INTERNAL OR EXTERNAL BLEMISHES OR BURNT DEBRIS LARGER THAN 3×3mm.
 - C. NO INTERNAL BLEMISHES OR BURNT DEBRIS ALLOWED.
- 4 . ALL GLASS STRANDS FROM FIBERGLASS LINER TO BE BONDED AND COVERED.
- 5 . SURFACE TO BE FREE OF NICKS, SCRATCHES, RESIN AND GLASS.
- 6 . SURFACE FINISH.
- 7 . DIMENSIONS IN PARENTHESIS ARE REFERENCE ONLY.
- 8 . DIMENSIONS IN SQUARE PARENTHESIS ARE INCH UNIT.

REMARK:

BELGIAN CUSTOMERS PLEASE SEE THE DATA MARKED (b);