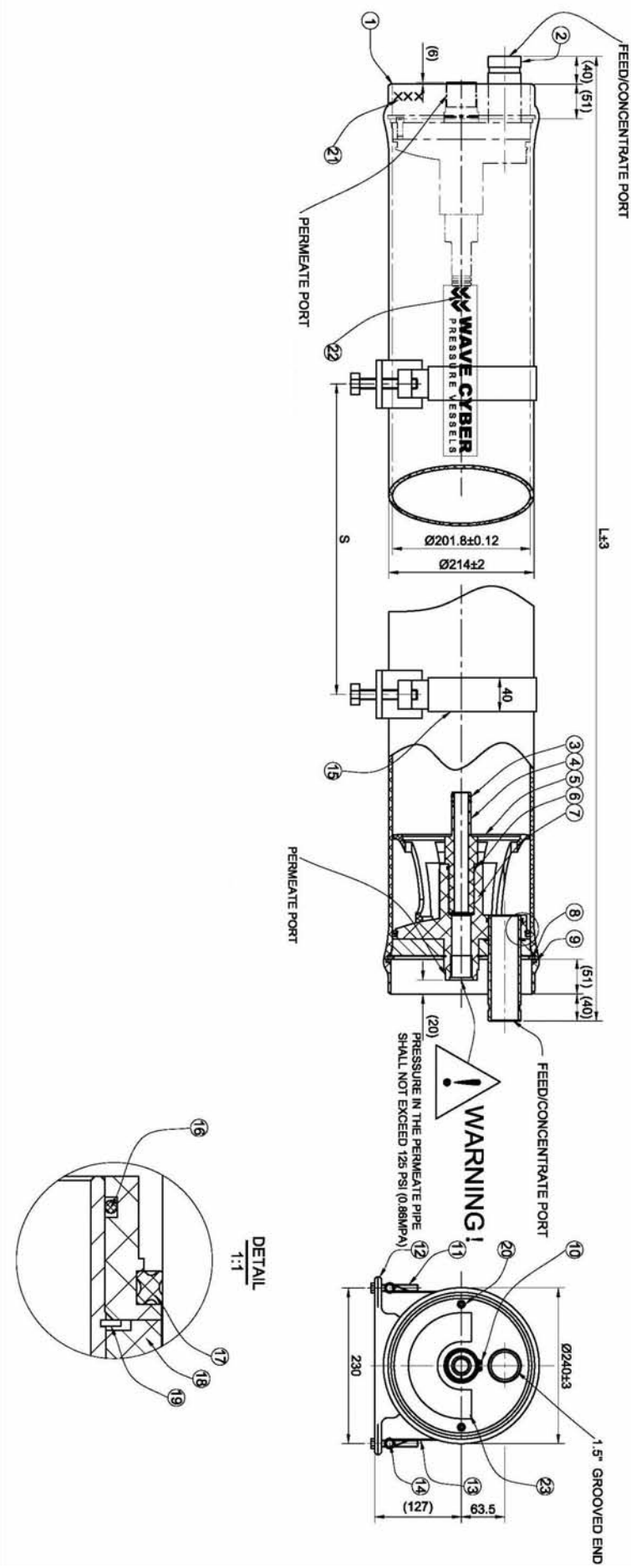


## CARCASE MEMBRANE 8"

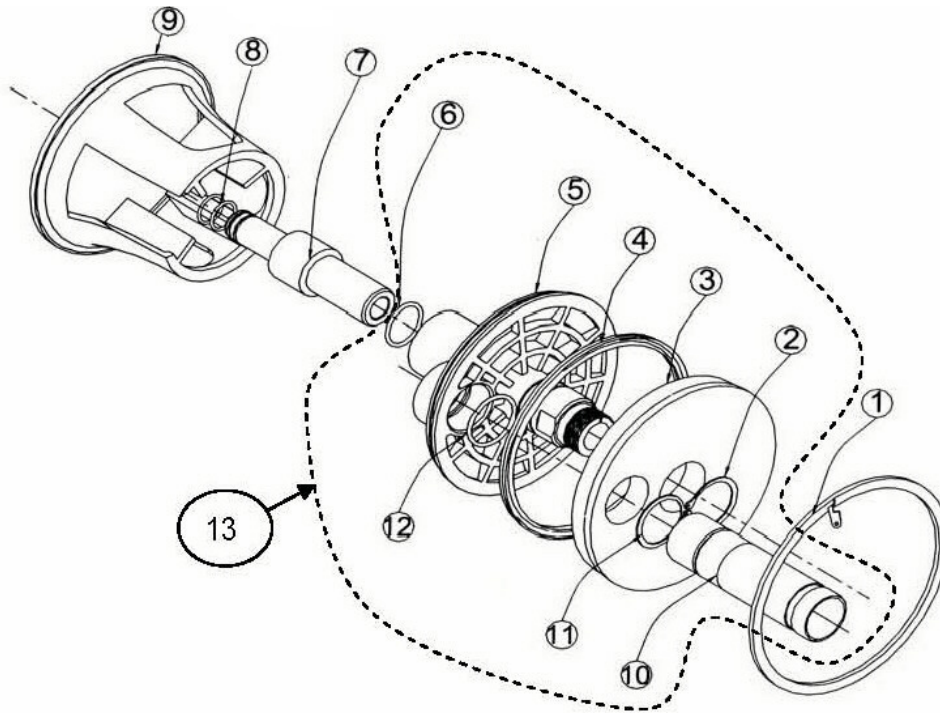
- fiberglass reinforced plastic pressure vessels series 300 E-8, white painted, UVA-ray proof material;
- max operating pressure 300 psi (21 bar);
- built in accordance with ASME code section X;
- each vessel is factory tested at 1,1 times max operating pressure;
- feed/concentrate connections 1 ½" Victaulic;
- permeate connections D 32 to glue;
- straps and saddles included (n.2 pcs from 1 to 3 elements, n.3 pcs from 4 to 6 elements);
- membrane adapters not included, to choose and buy separately;

REF.	MODEL	ELEMENTS	L (mm)	S (mm)
EA300	300 E – 8 – H – 1	1 x 40"	1575	711
EA301	300 E – 8 – H – 2	2 x 40"	2591	1422
EA302	300 E – 8 – H – 3	3 x 40"	3607	2032
EA303	300 E – 8 – H – 4	4 x 40"	4623	1626
EA304	300 E – 8 – H – 5	5 x 40"	5639	1981
EA305	300 E – 8 – H – 6	6 x 40"	6655	2337
EA306	300 E – 8 – H – 7	7 x 40"	7671	2692

# CARCASE MEMBRANE 8"



## PIESE DE SCHIMB CARCASA MEMBRANE 8"



ITEM	REF.	DESCRIPTION	MATERIAL
1	EA371	THREE-TURN LOCKING RING 150-600 PSI	AISI 316 L
	EA371A	THREE-TURN LOCKING RING 1000-1200 PSI	
2	EA372	PERMEATE PORT RETAINING RING	AISI 316 L
3	EA375	BEARING PLATE 300 PSI	ALUMIN. 6061-T651
	EA376	BEARING PLATE 400-450 PSI	
	EA377	BEARING PLATE 600 PSI	
	EA378	BEARING PLATE 1000 PSI	
4	EA358	HEAD SEAL	EPDM
5	EA367	PERMEATE PORT H 300 PSI	PP + 30% FG
	EA368	PERMEATE PORT H 400-450 PSI	
	EA369	PERMEATE PORT H 600 PSI	
	EA370	PERMEATE PORT H 1000 PSI	
6	EA356	PWT SEAL	EPDM
7	EA340	ADAPTER 1,125" WITH O-RING	ABS
	EA341	ADAPTER 1,5" WITH O-RING	
8	EA354	O-RING ADAPTER 1,125"	EPDM
	EA355	O-RING ADAPTER 1,5"	
9	EA365	THRUST CONE	PP + 30% FG
10	EA361	FEED/CONCENTRATE PORT 300 PSI	AISI 316 L
	EA362	FEED/CONCENTRATE PORT 400-450 PSI	
	EA363	FEED/CONCENTRATE PORT 600 PSI	
	EA364	FEED/CONCENTRATE PORT 1000 PSI	
11	EA379	RETAINING RING 300 PSI	AISI 316 L
	EA380	RETAINING RING 400-450 PSI	
	EA381	RETAINING RING 600 PSI	
	EA382	RETAINING RING 1000 PSI	
12	EA357	FEED/CONCENTRATE PORT SEAL	EPDM
13	EA392	HEAD ASSEMBLY H "E SERIES" 250-300 PSI (P/N 70531)	
	EA393	HEAD ASSEMBLY H "E SERIES" 400-450 PSI (P/N 70532)	
	EA394	HEAD ASSEMBLY H "E SERIES" 600 PSI (P/N 70533)	
	EA395	HEAD ASSEMBLY H "E SERIES" 1000-1200 PSI (P/N 70534)	
NOT VIEWED	EA373	STRAP	
NOT VIEWED	EA374	SADDLE	
NOT VIEWED	EA347	1,5" G FEMALE NUT	PVC
NOT VIEWED	EA348	ADAPTER D. 32 TO GLUE	PVC
NOT VIEWED	EA351	PERMEATE PORT H O-RING	EPDM